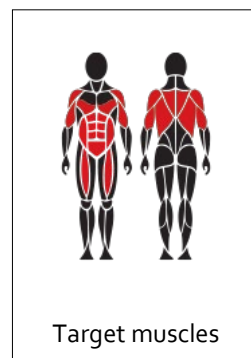


OG95 LEG RAISE/DIP/CHIN-UP

PRODUCT GUIDE



PRODUCT FEATURES

- Effective and safe exercise equipment
- Structural black bar for grip
- Multigrip (width, height)
- Maintenance-free
- Can be installed on a movable platform

COLOR OPTIONS

The product comes as standard in RAL Classic colors:
RAL 5012 (blue), RAL 3020 (red), RAL 6018 (green)
RAL 1017 (yellow), or RAL 7024 (grey).



Other RAL colors are available at an additional cost.

OG95 LEG RAISE/DIP/CHIN-UP

D I M E N S I O N S

Length	1550 mm
Width	960 mm
Height	2272 mm
Equipment weight	167 kg

M A T E R I A L

Metal parts	Steel
Tube strengths	3-6 mm
Coating solution	Zink and powder coating

C O U N T R Y / S T A N D A R D

Country of manufacture	Finland
Standard	EN16630

B A S E O P T I O N S

Concrete	Surface mounting to concrete
Platform	Installed on a movable safety platform

F O U N D A T I O N

Max. free fall height 1199 mm. Safety area must be equipped with impact damping surface such as lawn, artificial grass + padding (22mm) or safety tiles (40mm).

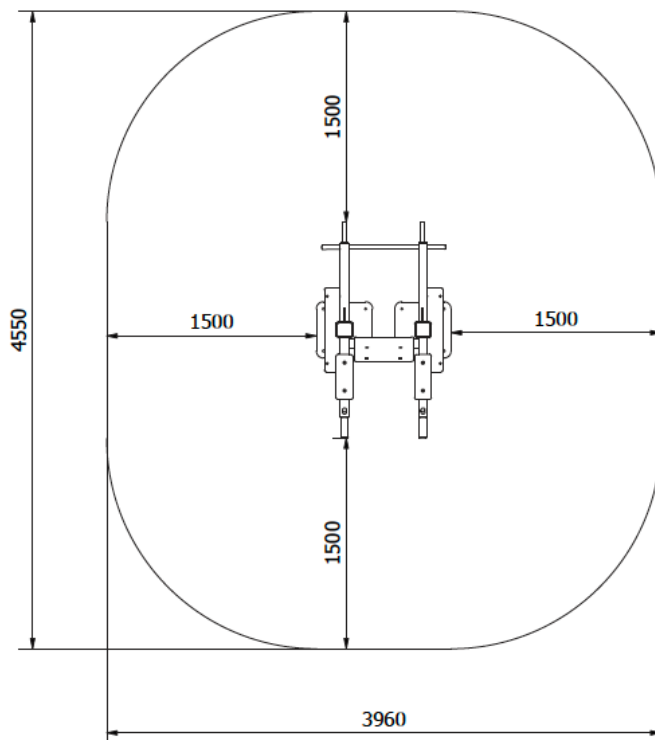
Concrete min 120 mm below equipment

Ground frost insulation, thickness based on the ground

Instruction guide included in delivery:

installation instructions, maintenance, usage info.

Contact: info@omnigym.com



EN16630